

PRODUCT SPECIFICATIONS, WARRANTY, INSTALLATION INFORMATION

ATMOX 24VAC RELAY KIT

Item: 02-175-300

Specifications:

Power: 2A at 24VAC Max Load per Relay
Use: Allows for a 24VAC component to be controlled by the ATMOX Controller. Commonly used to control operation of select dehumidifiers.



OVERVIEW

The 24VAC Relay Kit contains two separate relays within the unit. Each relay can switch operation for one component. Once fully connected, the ATMOX controller will direct operation of the component.

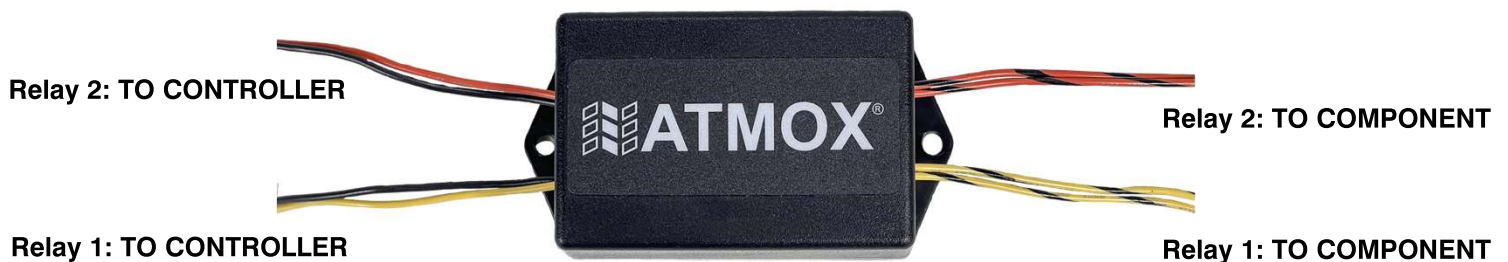
One component can be controlled with the yellow/black wires. If desired, a second component can be controlled with the orange/black wires. The two relays are identical. Coloring of wiring is just for distinction of the two relays.

CONTROLLER

Solid colored wires will be connected to the ATMOX controller. Determine the use of the 24VAC component to select the correct output on the ATMOX controller. The relay can be used with any of the ATMOX controller outputs, but the correct output must be selected for proper operation. For example, switching of a dehumidifier should be connected to “DEHUMIDIFIER” (yellow/black terminal blocks) and switching of an attic fan should be connect to “ATTIC FANS” (red/black terminal blocks). The color of wiring on relay will not always match to the color of terminal blocks on ATMOX controller.

COMPONENT

The striped wires of the corresponding color will be connected to the terminal blocks of the component being controlled. The two striped wires are not specific to Positive/Negative. The specifics of connection will vary by component.



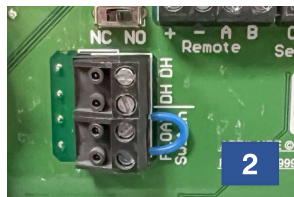
Products manufactured by ATMOX come with a Limited Three-Year Warranty.

CONNECTION OF RELAY WIRES TO COMPONENT

Unplug any components from power when connecting wires. Follow any instructions as outlined in manual provided by Aprilaire.

INSTRUCTIONS FOR CONNECTION TO APRILAIRE E-SERIES DEHUMIDIFIERS

- 1 Remove control panel cover.
- 2 Insert one of the yellow/black striped wires into the top block labeled DH. Repeat with second yellow/black striped wire into bottom block labeled DH.
- 3 Tighten screws on terminal block to hold in place.
- 4 Put dehumidifier control panel cover back with wires coming out below.



DEHUMIDIFIER SETTINGS FOR EXTERNAL MODE

The dehumidifier will not operate properly from ATMOX controller without External Mode.

- 1 Plug in power cord of dehumidifier and turn switch on back of unit to ON.
- 2 On display panel, press MODE button one time to illuminate screen. OFF should be displayed. NOTE: Screen must remain illuminated to change settings.
- 3 Press and hold MODE button for 3-5 seconds until display reads REMOTE/DISABLED.
- 4 Press MODE button several times until display reads EXTERNAL.
- 5 Press up arrow button to change display to ENABLED.
- 6 Press MODE button several times until display reads DONE.
- 7 Wait until display reads OFF.
- 8 Press ON/OFF button to enable ATMOX Relay Kit to control dehumidifier. Display will read EXTERNAL.



NOTE: Yellow and Black SOLID wires of Relay Kit will be connected to terminal blocks on ATMOX Controller labeled Dehumidifier. The Orange colored wires will not be used.

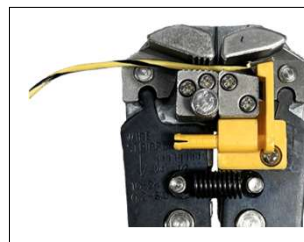
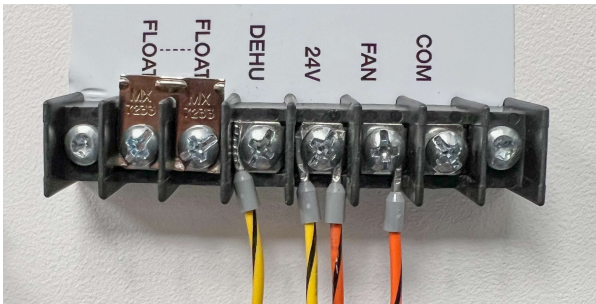
CONNECTION OF RELAY WIRES TO COMPONENT

INSTRUCTIONS FOR CONNECTION TO SANTA FE ULTRA SERIES DEHUMIDIFIERS

Unplug any components from power when connecting wires. Follow any instructions as outlined in manual provided by Santa Fe.

With the Ultra Series, there is an added option to control both the dehumidifier and separately the fan within the dehumidifier to run separately from the compressor. Both relays within the Relay Kit will be used.

- 1 Turn any control dial on the dehumidifier to OFF (Not all models will have this.)
- 2 Attach first striped yellow/black wires to terminal block labeled DEHU.
- 3 Attach second striped yellow/black wire to terminal block labeled 24V.
- 4 Attach first striped orange/black wire to terminal block labeled 24V. (This can be on other side of terminal block from the yellow/black wire.)
- 5 Attach second striped orange/black wire to terminal black labeled FAN.



If needed, cut end and strip 1/2 - 3/4 inch from the sheathing of each of the four striped wires to expose more of the conductor wire.

WARNING

Do not connect the striped wires directly to any COM or DMPR terminal block. Damage may occur.

NOTE: Yellow and Black SOLID wires of Relay Kit will be connected to terminal blocks on ATMOX Controller labeled Dehumidifier. Orange and Black solid wires of Relay Kit will be connected to terminal blocks on ATMOX Controller labeled Internal Fans.

INSTRUCTIONS FOR CONNECTION TO OTHER DEHUMIDIFIERS

Some dehumidifiers from other manufacturers with terminal blocks may also be controlled by this Relay Kit. Instructions will generally follow those of Santa Fe Ultra Dehumidifiers but could have some variation.

For questions on compatibility, contact ATMOX for more information.

CONNECTION OF RELAY WIRES TO CONTROLLER

Unplug ATMOX controller from power when connecting wires.

The correct output on ATMOX controller must be selected based on use. The BLACK SOLID wire from Relay will connect to negative/black terminal block, and the COLORED SOLID wire from Relay will connect to the corresponding colored/positive terminal block.

Connect the wires to the correct terminal blocks on ATMOX controller.

SETTINGS ADJUSTMENT

If 24VAC relay being used with Red, Orange or Green outputs on ATMOX Controller, the controller setting for OUTPUT DETECTION must be adjusted to (N). Review Settings Menu section of Installation Guide for instructions.

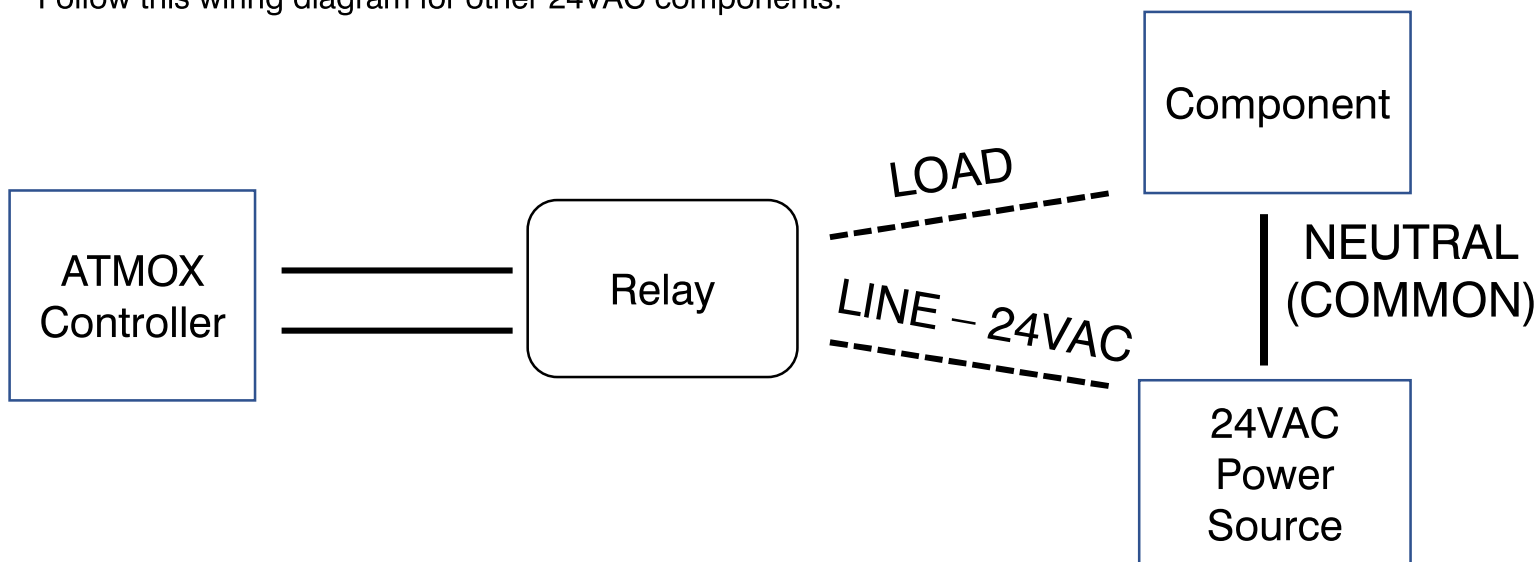


If relay wiring is not long enough to reach the controller, then wire can be extended to reach terminal blocks on ATMOX Controller.

Connect the SOLID wires for the Relay being used (colored and black) to a low voltage wire using quick splice connectors. Do not cut or strip wires from relay. Follow instructions in Low Voltage Wiring section of Controller Installation Guide.

GENERAL WIRING DIAGRAM FOR 24VAC COMPONENTS

Follow this wiring diagram for other 24VAC components.



WARNING

DO NOT ATTACH A HIGH VOLTAGE CIRCUIT. Relay is a 24VAC low voltage switch.

Maximum Load is 2A at 24VAC. Components are protected by fuse protection in relay. Relay will be damaged by an overload or improper wiring and will not be covered under ATMOX Product Warranty.

ATMOX INC

10612-D Providence Rd. #229, Charlotte, NC 28277
Phone: 704-248-2858 www.atmox.com



Issue: 2022-08

© Copyright 2022 ATMOX INC